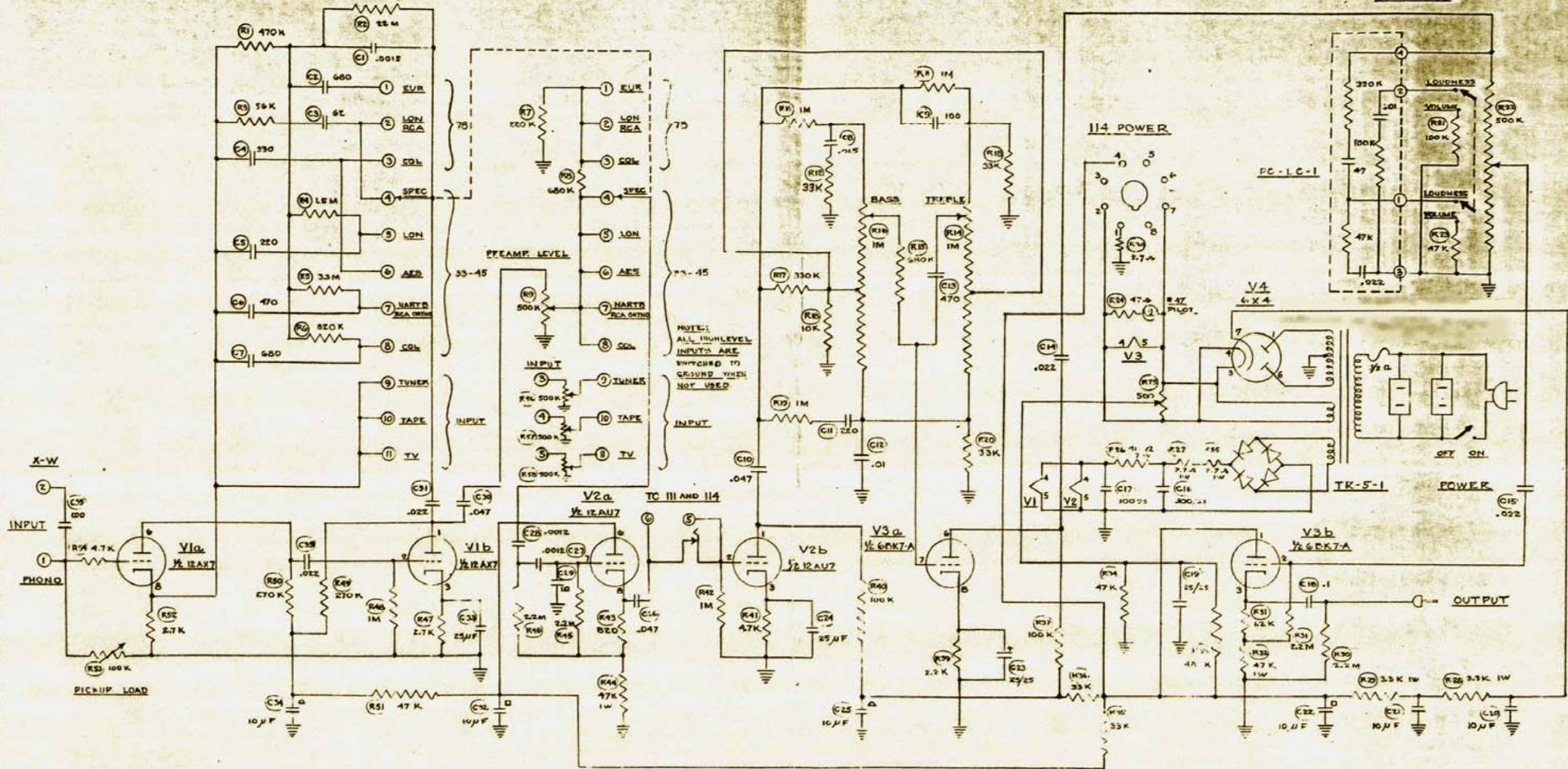


RECORD COMPENSATOR

LOUDNESS



TYPE 120-CP EQUALIZER PREAMPLIFIER
 CIRCUIT DIAGRAM

FIG. CP-1 CIRCUIT DIAGRAM
 HARMON HOSMER SCOTT, I.C.
 CAMBRIDGE, MASS., U.S.A.
 DC 5 34048 END
 CH PROG. 120-CP-1