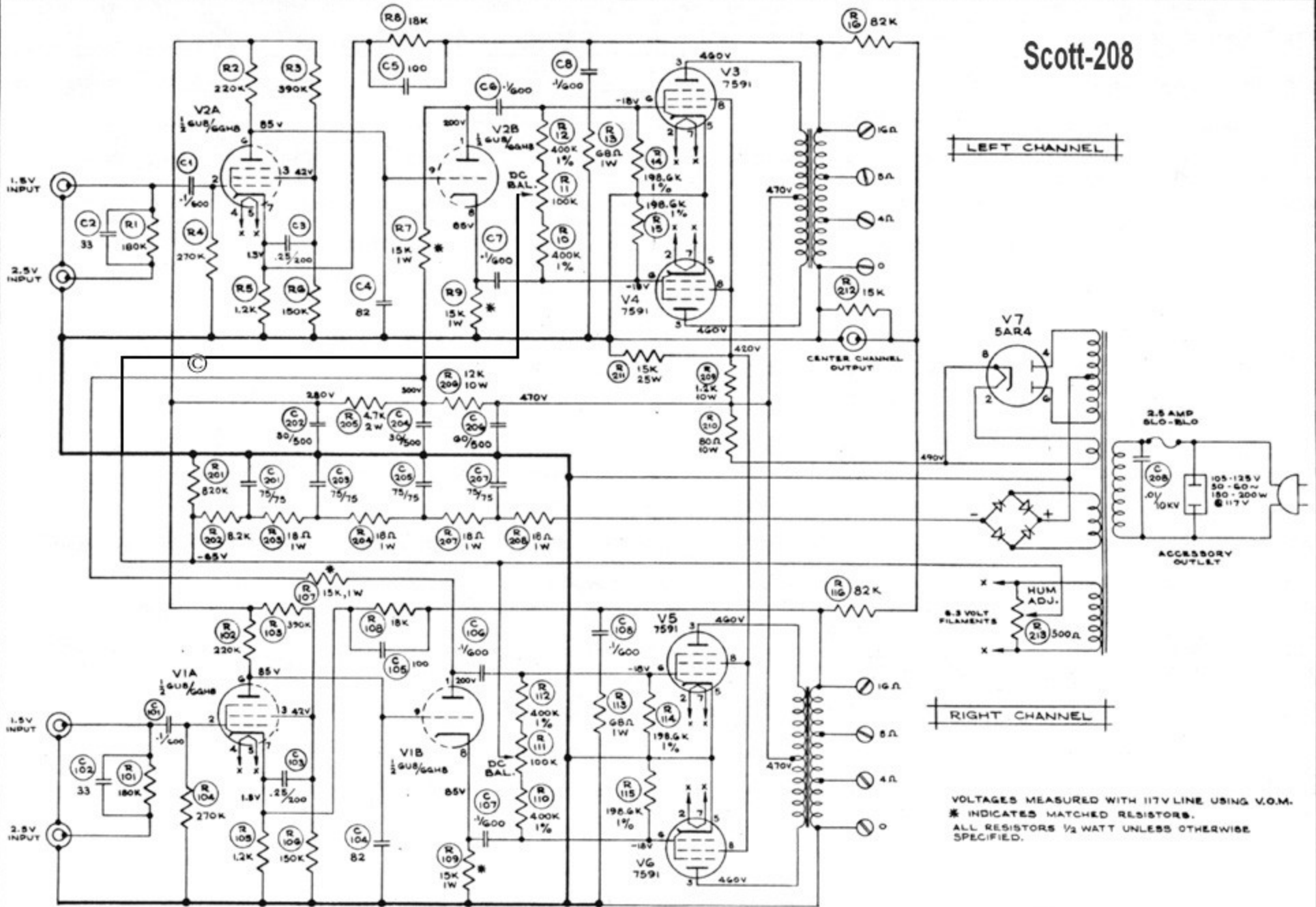
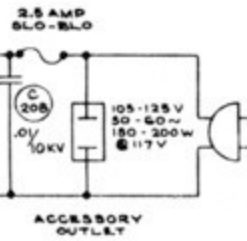


Scott-208



LEFT CHANNEL



RIGHT CHANNEL

VOLTAGES MEASURED WITH 117V LINE USING V.O.M.
* INDICATES MATCHED RESISTORS.
ALL RESISTORS 1/2 WATT UNLESS OTHERWISE SPECIFIED.

TYPE 208 STEREO POWER AMPLIFIER

R1G, C8 ; R1G, C10B ; R213, C20B.

| | | |
|---|------------------|---------------------|
| SCALE: NONE | CIRCUIT DIAGRAM | 11/28/61 |
| H. H. SCOTT, INC. MAYNARD, MASS. U.S.A. | | |
| DR. DRAYMOND | ENG. [Signature] | DWG. |
| CH. W.C. | PROD. | NO. C-208-C1 SUB. O |