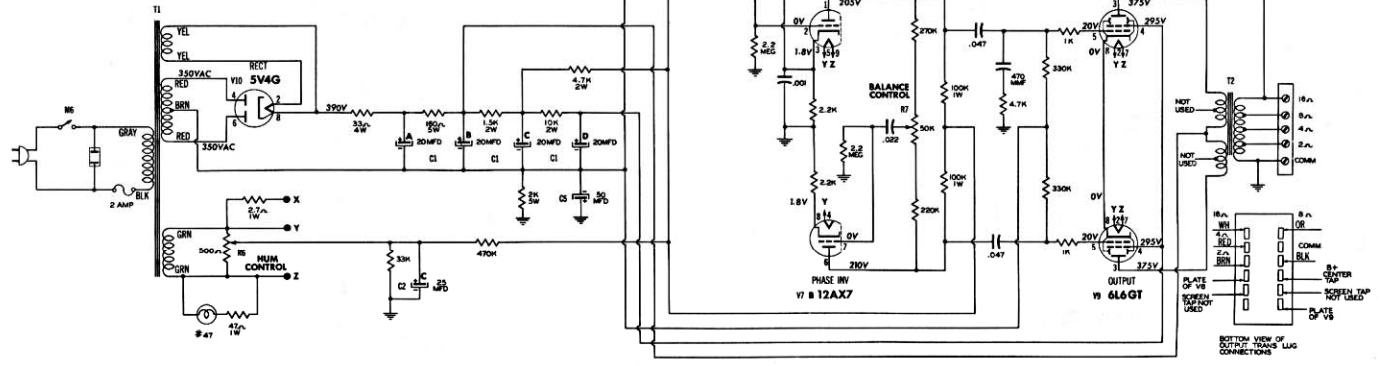
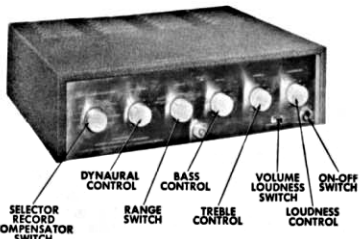


- SELECTOR AND RECORD COMPENSATOR SWITCH (M4) ENERGY IN SIDE POSITION**  
SWITCH SEQUENCE:
- 1 - SUB
  - 2 - LOW - RCA
  - 3 - COL
  - 4 - BFCB
  - 5 - LOW
  - 6 - AMB
  - 7 - HARTS
  - 8 - COL-RCA-OR TRO
  - 9 - TUNER
  - 10 - TAPE
  - 11 - TV



SCOTT 210C