

STEREO SELECTOR SWITCH

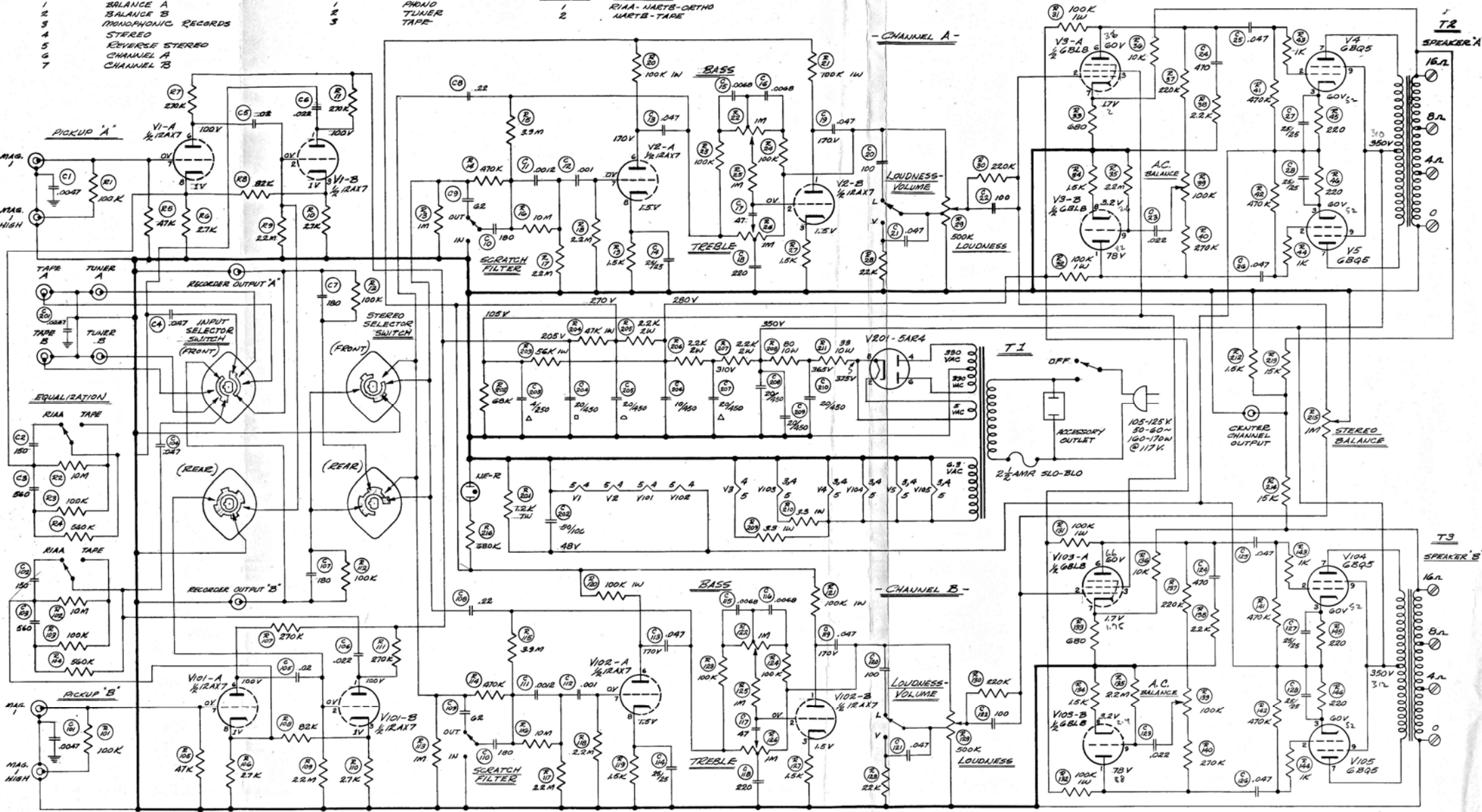
POSITION	FUNCTION
1	BALANCE A
2	BALANCE B
3	MONOPHONIC RECORDS
4	STEREO
5	REVERSE STEREO
6	CHANNEL A
7	CHANNEL B

INPUT SELECTOR SWITCH

POSITION	FUNCTION
1	PHONO
2	TUNER
3	TAPE

EQUALIZATION SWITCH

POSITION	FUNCTION
1	RIAA - M4RT5-GETHO
2	M4RT5-TAPE



THE FOLLOWING CONTROLS IN CHANNEL "A" ARE MECHANICALLY GANGED WITH IDENTICAL CONTROLS IN CHANNEL "B."

1. INPUT SELECTOR
2. EQUALIZATION
3. SCRATCH FILTER
4. LOUDNESS-VOLUME
5. LOUDNESS and POWER SWITCH

TYPE 222 STEREO AMPLIFIER

1. ALL VOLTAGES D.C. 15% MEASURED WITH V.T.V.M.
2. NO INPUT SIGNAL @ 117 VOLT LINE
3. SWITCHES SHOWN IN MAXIMUM C.W. POSITION.

DESIGNED BY	DEC. 31, 1958
CHECKED BY	EEB
H. H. SCOTT, INC.	
MAYNARD, MASS., U.S.A.	
DR. E. H. MATIN	ENG. [Signature]
CH. [Signature]	PROD. [Signature]
DWG. NO. D-222-C1	

REVISIONS
 1. CHANGE LAMP (6C) TO 6C10 (6C10)
 2. CHANGE LAMP (6C) TO 6C10 (6C10)
 3. CHANGE LAMP (6C) TO 6C10 (6C10)
 4. CHANGE LAMP (6C) TO 6C10 (6C10)