

FOLDER 13
SET 555

PHOTOFACT® Folder

H. H. SCOTT
MODEL 222B

H. H. SCOTT
MODEL 222B



H. H. SCOTT
MODEL 222B

TRADE NAME	H. H. Scott Model 222B		
MANUFACTURER	H. H. Scott, Inc., 111 Powder Mill Road, Maynard, Mass.		
TYPE SET	AC Operated 11 Tube Stereo Amplifier		
POWER SUPPLY	105 - 125 Volts AC, 50-60 Cycles	RATING	130 Watts, 1.3 Amp. @ 117 Volts AC

ADJUSTMENTS

BIAS ADJUSTMENT
Connect DC probe of VTVM to point Δ , Common to chassis. Adjust Bias control for 38.5 Volts on VTVM.
DC BALANCE ADJUSTMENT
Connect a 16 Ω 10W resistor across the output terminals of the channel under test. Connect scope across the resistor and turn Horizontal Selector to "LINE". Remove the Phase Inverter tube of the channel under test. Adjust the proper DC Balance control for MINIMUM 120% response on scope. Repeat procedure for other channel.
AC BALANCE ADJUSTMENT
AC Balance may be adjusted by using a distortion or wave analyzer. The AC Balance control is adjusted for MINIMUM second harmonic distortion.

HOWARD W. SAMS & CO., INC. Indianapolis 6, Indiana



The listing of any available replacement part herein does not constitute in any case a recommendation, warranty or guaranty by Howard W. Sams & Co., Inc., as to the quality and suitability of such replacement part. The numbers of these parts have been compiled from information furnished to Howard W. Sams & Co., Inc., by the manufacturers of KV765

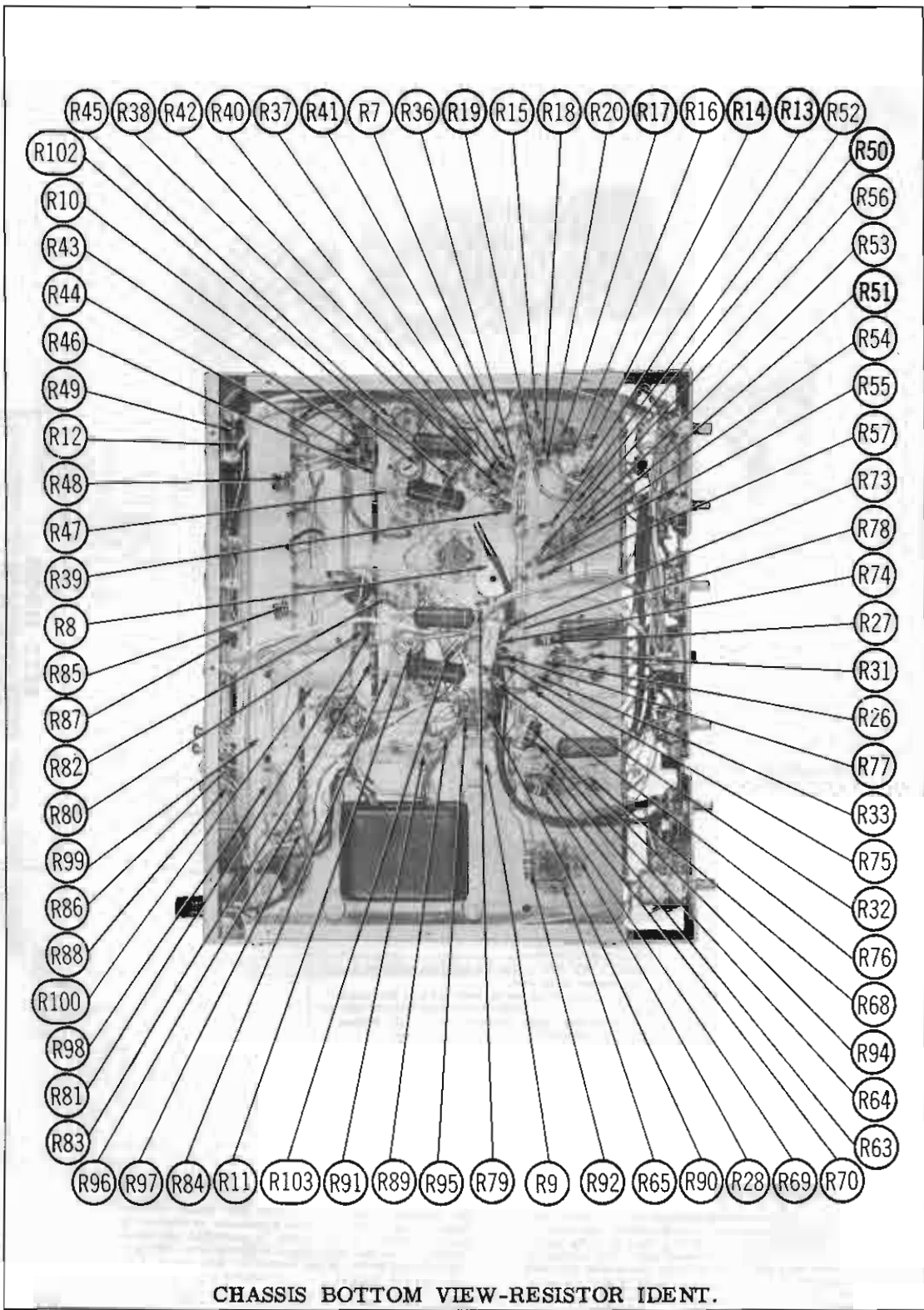
the particular type of replacement part listed. Reproduction or use, without express permission, of editorial or pictorial content, in any manner, is prohibited. No patent liability is assumed with respect to the use of the information contained herein. © 1961 Howard W. Sams & Co., Inc., Indianapolis 6, Indiana. Printed in U.S. of America

DATE 11 - 61

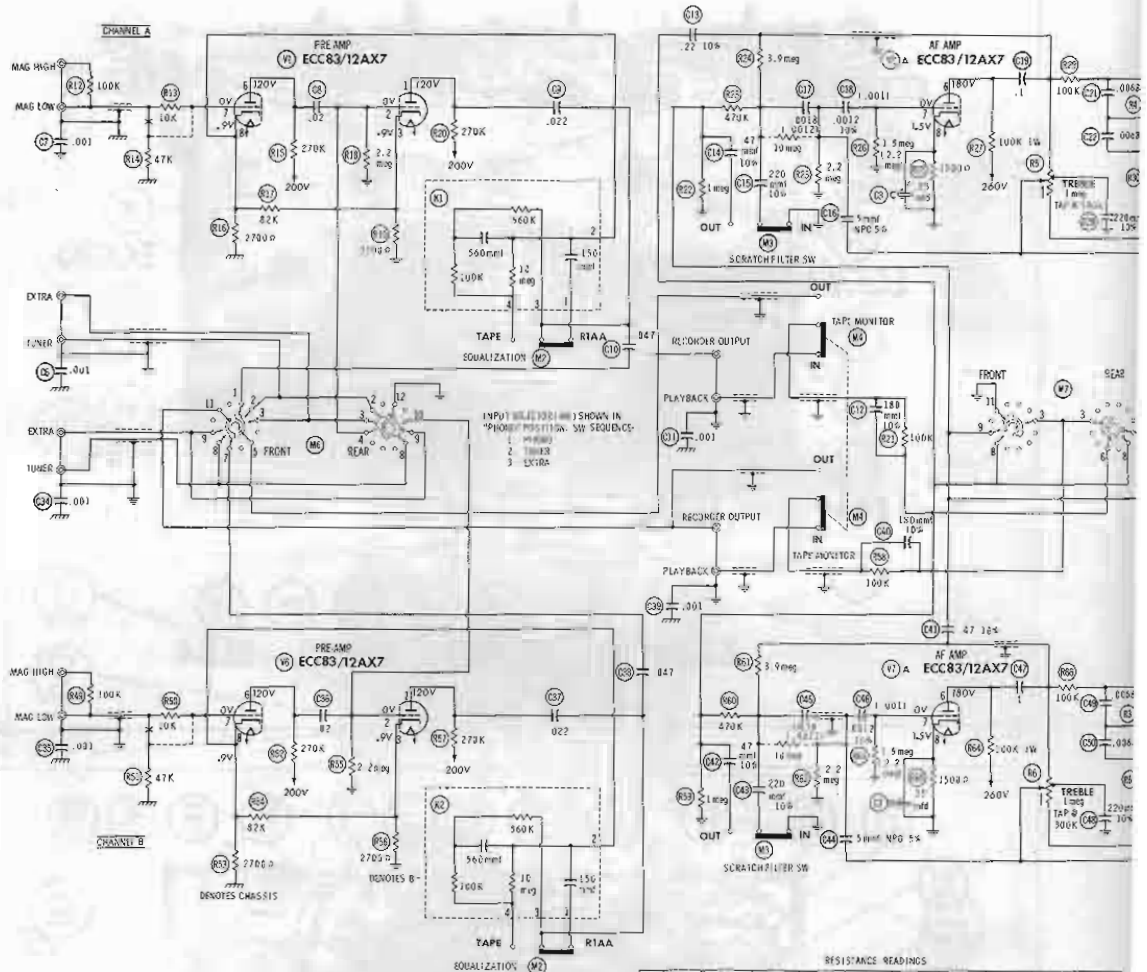
SET 555

FOLDER 13

SET 555
FOLDER 13



CHASSIS BOTTOM VIEW-RESISTOR IDENT.



RESISTANCE READINGS

Pin	Pin 1	Pin 2	Pin 3	Pin 4	Pin 5	Pin 6	Pin 7	Pin 8	Pin 9
V1	100K	100K	270K	170	NC	57K	270K	NC	
V2	110K	1.6meg	180K	570	350	770K	1.5meg	1500	NC
V3	ECC83	100K	160K	15K	FIL	FIL	120K	4000	1500
V4	6BQ5	NC	120	FIL	FIL	NC	1250	NC	1800
V5	6BQ5	NC	400K	170	FIL	FIL	NC	1240	NC
V6	ECC83	130K	7.7meg	200	170	1330K	57K	270K	NC
V7	6BQ5	110K	1.6meg	500	70	570	1.1meg	1500	NC
V8	ECC83	1220K	160K	115K	FIL	FIL	270K	680	1500
V9	6BQ5	NC	400K	120	FIL	FIL	NC	1250	NC
V10	6BQ5	NC	400K	20	FIL	FIL	NC	1250	NC
V11	6BQ5	NC	400K	NC	73	NC	NC	NC	17000

SEE PARTS LIST FOR ALTERNATE VALUE OR APPLICATION

DC COIL RESISTANCE VALUES UNDER ONE OHM NOT SHOWN ON SCHEMATIC DIAGRAM

ARROWS ON CONTROLS INDICATE CLOCKWISE ROTATION (CONTROL VIEWED FROM SHAFT END)

- DC voltage measurements taken with vacuum tube voltmeter.
- AC voltage readings with 1000 ohm per volt voltmeter.
- Resistor values are shown as bottom views.
- Line voltage maintained at 215 volts for voltage readings.
- Nominal tolerance of component values may vary.
- All controls at maximum output level.

ALL RESISTANCE READINGS ARE IN OHMS UNLESS OTHERWISE DESIGNATED.

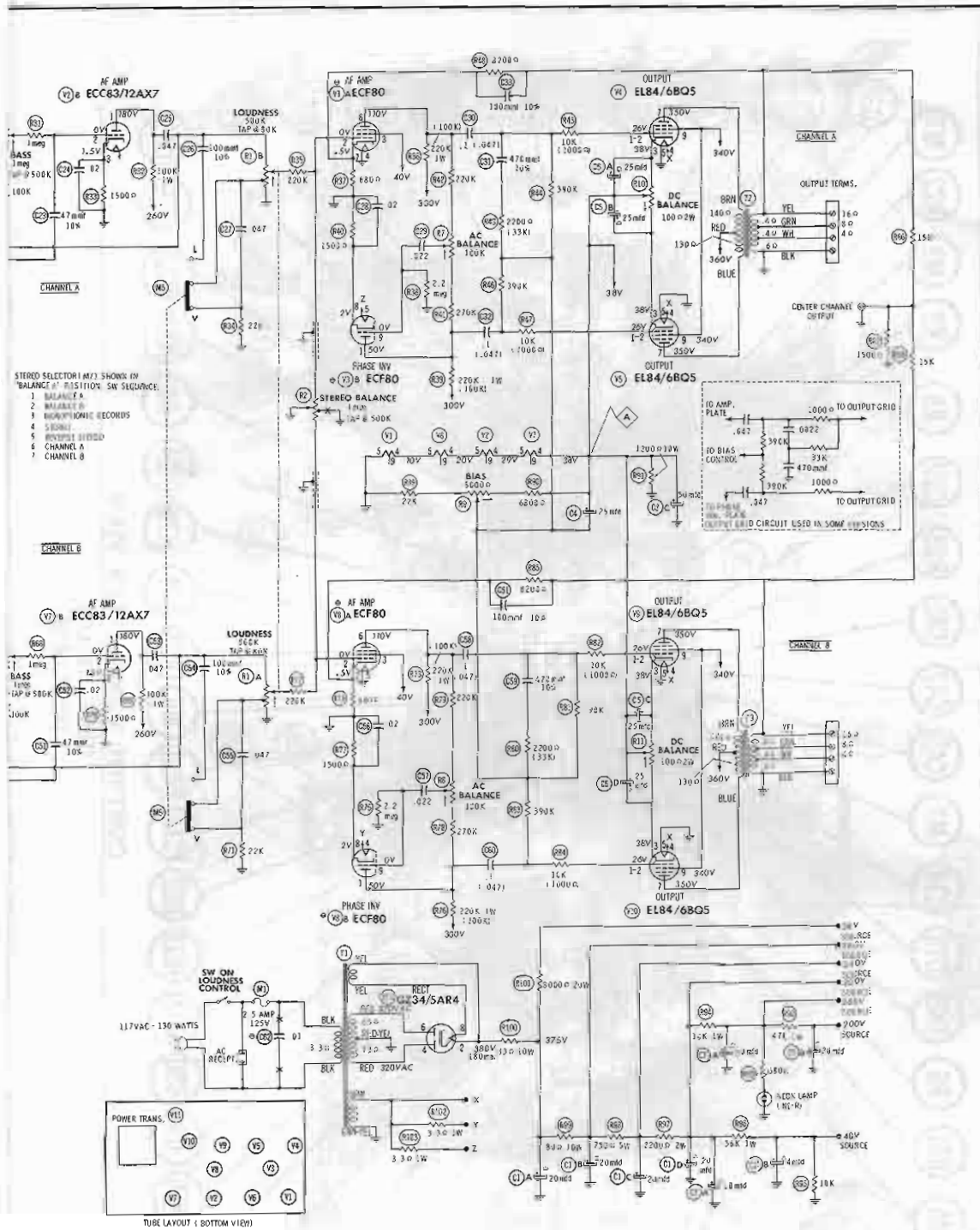
1. RESISTANCE VALUES VARY UPON THE CONDITION OF THE ELECTROLYTIC IN THE CIRCUIT.

2. MEASURED IN "TUNER" OR "TAP" POSITION.

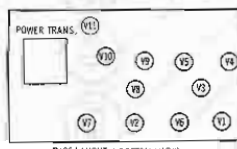
3. MEASURED IN "TAP" POSITION.

NC: NO CONNECTION

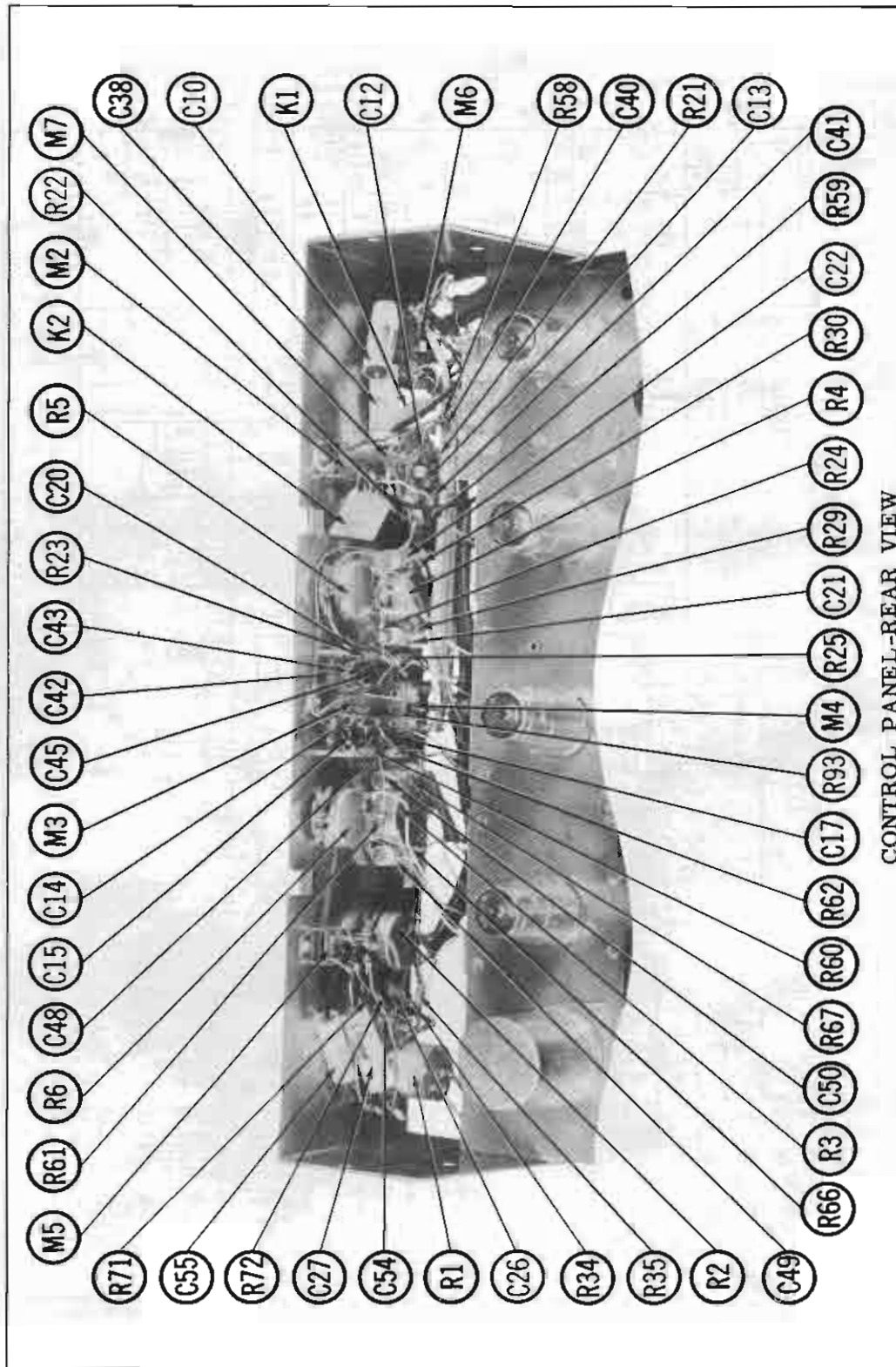
A. PROTOFACT STANDARD NOTATION SCHEMATIC
 © Howard W. Sams & Co., Inc. 1961



- STEREO SELECTOR (M7) SHOWS IN "BALANCE" POSITION SW SEQUENCE:
- 1 BALANCE A
 - 2 BALANCE B
 - 3 HIGH IMPEDANCE RECORDS
 - 4 500Ω
 - 5 1000Ω
 - 6 CHANNEL A
 - 7 CHANNEL B



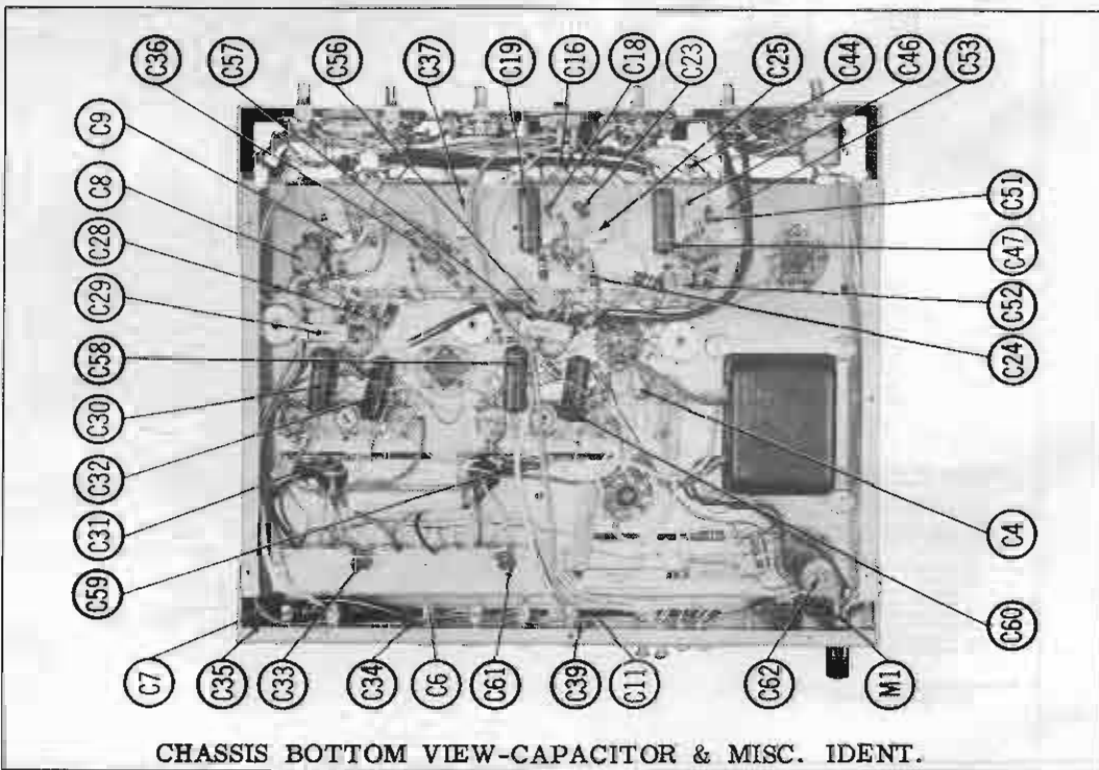
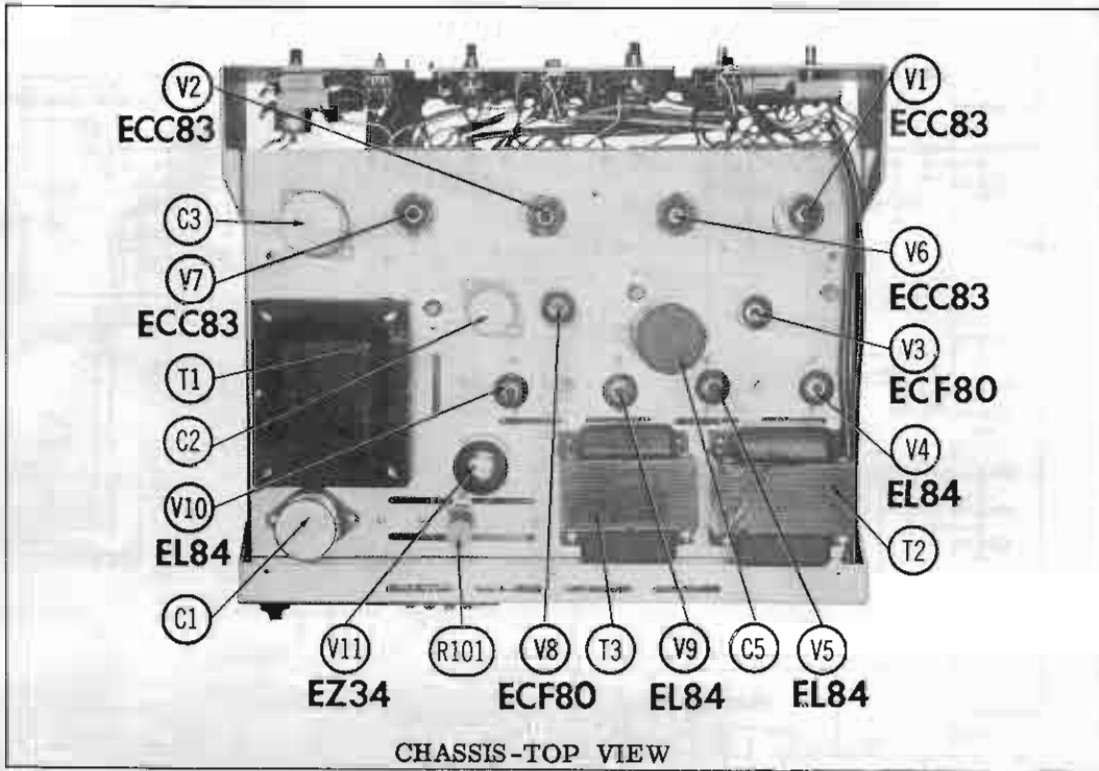
H. H. SCOTT
MODEL 222B



CONTROL PANEL-REAR VIEW

H. H. SCOTT
MODEL 222B

FOLDER 13



PARTS LIST AND DESCRIPTIONS (Continued)

RESISTORS

All wattages 1/2 watt, or less, unless otherwise listed.

ITEM No.	REPLACEMENT DATA		ITEM No.	RATING	REMARKS	REPLACEMENT DATA		REMARKS
	IPC PART No.	WORKMAN TV PART No.				IPC PART No.	WORKMAN TV PART No.	
R13	100K		R78	100K				
R14	47K		R79	470K				
R15	270K		R80	470K				
R16	2700Ω		R81	3.9meg				
R17	82K		R82	2.2meg				
R18	2.2meg		R83	1.5meg				
R19	2700Ω		R84	100K 1W				
R20	2700Ω		R85	100K				
R21	100K		R86	100K				
R22	1meg		R87	100K				
R23	470K		R88	1meg				
R24	3.9meg		R89	100K 1W				
R25	2.2meg		R90	100K				
R26	100K		R91	22K				
R27	100K 1W		R92	22K				
R28	1500Ω		R93	220K 1W				
R29	100K		R94	680Ω				
R30	100K		R95	2.2meg				
R31	1meg		R96	220K 1W				
R32	100K 1W		R97	1500Ω				
R33	100K 1W		R98	22K				
R34	22K		R99	6800Ω 10W				
R35	22K		R100	47K 1W				
R36	220K 1W		R101	680K 1W				
R37	800Ω		R102	5.3K 1W				
R38	2.2meg		R103	5.3K 1W				
R39	2200Ω		R104	5.3K 1W				
R40	2200Ω		R105	5.3K 1W				
R41	270K		R106	5.3K 1W				
R42	220K		R107	5.3K 1W				
R43	2200Ω		R108	5.3K 1W				
R44	390K		R109	5.3K 1W				
R45	100K		R110	5.3K 1W				
R46	100K		R111	5.3K 1W				
R47	100K		R112	5.3K 1W				
R48	8200Ω		R113	5.3K 1W				
R49	100K		R114	5.3K 1W				
R50	100K		R115	5.3K 1W				
R51	47K		R116	5.3K 1W				
R52	270K		R117	5.3K 1W				
R53	270K		R118	5.3K 1W				
R54	270K		R119	5.3K 1W				
R55	2700Ω		R120	5.3K 1W				
R56	2700Ω		R121	5.3K 1W				
R57	270K		R122	5.3K 1W				

* Alternate Value.

TRANSFORMER (AUDIO OUTPUT)

ITEM No.	IMPEADANCE		REPLACEMENT DATA			NOTES
	FRI.	SEC.	H. B. Scott PART No.	Merit PART No.	Theordanon PART No.	
T2	7000Ω CT	180 Tap 8, 10, 15	TRA-8-4-1		S-24A	
T3	7000Ω CT	180 Tap 8, 10, 15	TRA-8-4-1		S-24A	

COMPONENT COMBINATIONS

ITEM No.	USE	DESCRIPTION	H. B. Scott PART No.	REPLACEMENT DATA
K1	Equalization Comp.	150mm, 560mm, 100K, 560K, 10meg	PC222E	
K2	Equalization Comp.	150mm, 560mm, 100K, 560K, 10meg	PC222E	

FUSES

ITEM No.	TYPE	RATING	REPLACEMENT DATA		
			H. B. Scott PART No.	FUSE	HOLDER
M1	5A	125V			
	1.5A	125V			
	5/7D				

MISCELLANEOUS

ITEM No.	PART NAME	H. B. Scott PART No.	NOTES
M3	Switch		
M4	Switch		
M5	Switch		
M6	Switch		
M7	Switch		

TRANSFORMER (POWER)

ITEM No.	RATING		REPLACEMENT DATA			NOTES
	FRI.	SEC.	H. B. Scott PART No.	Merit PART No.	Theordanon PART No.	
T1	175V ①	640VCT 5V ②				
	1.9A	DC	TEB-42-7			
	6.3V ③	SEC. 4				
	3.8A	SEC. 5				

WIRING DATA

General-use Discontinued Hook-up Wire Use BELDEN No. 8530 (Solid) Available in Ten Colors
 Power Cord Use BELDEN No. 1785-B (8 Ft. Length)
 Power Cord Use BELDEN No. 1785-R (1 Ft. Length)