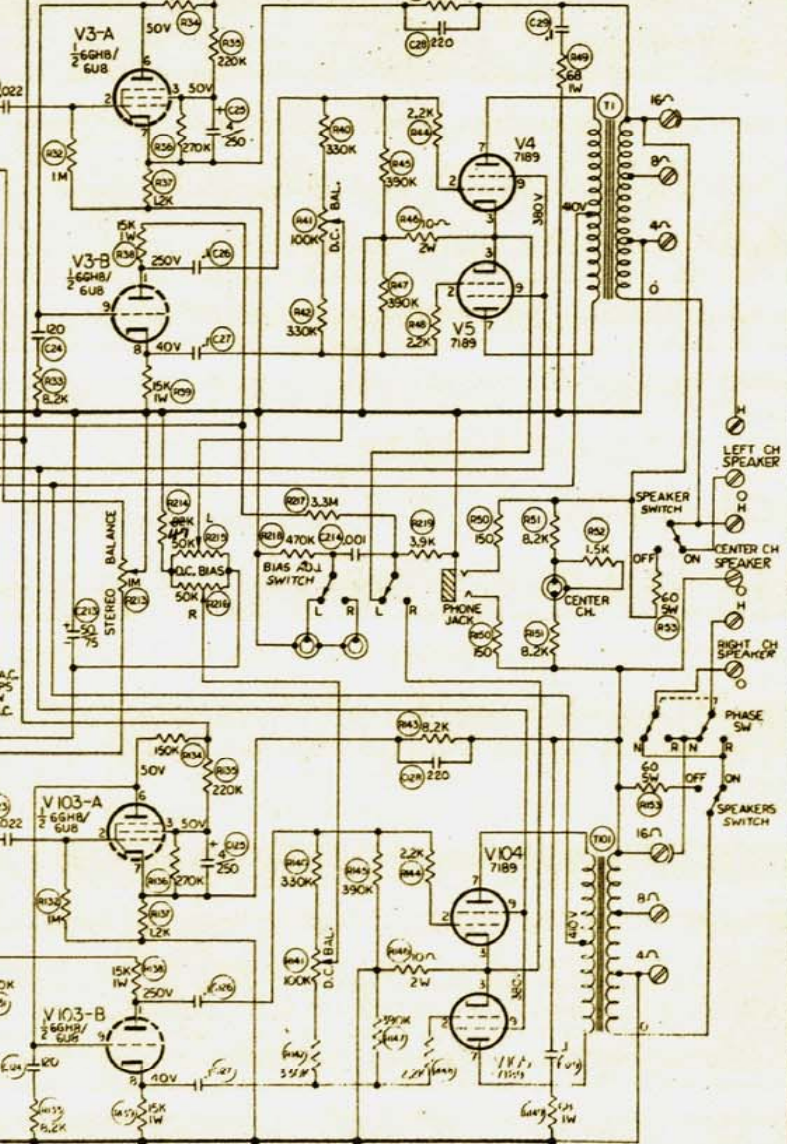
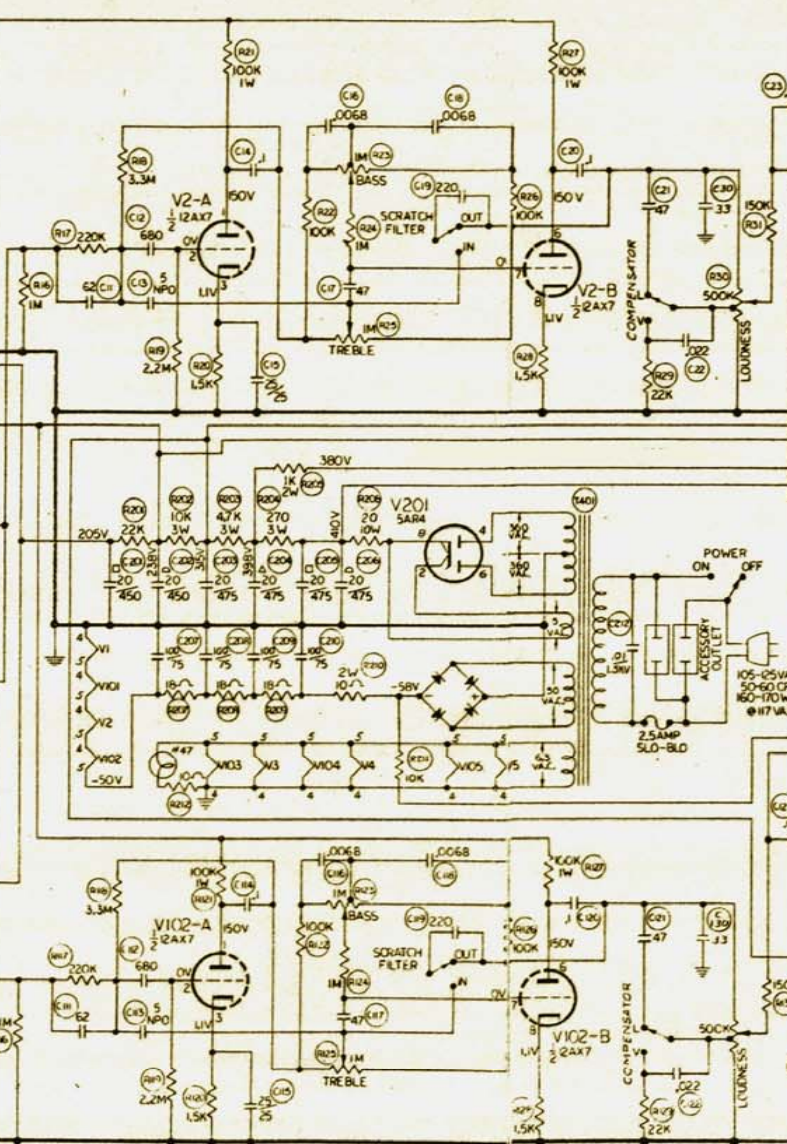
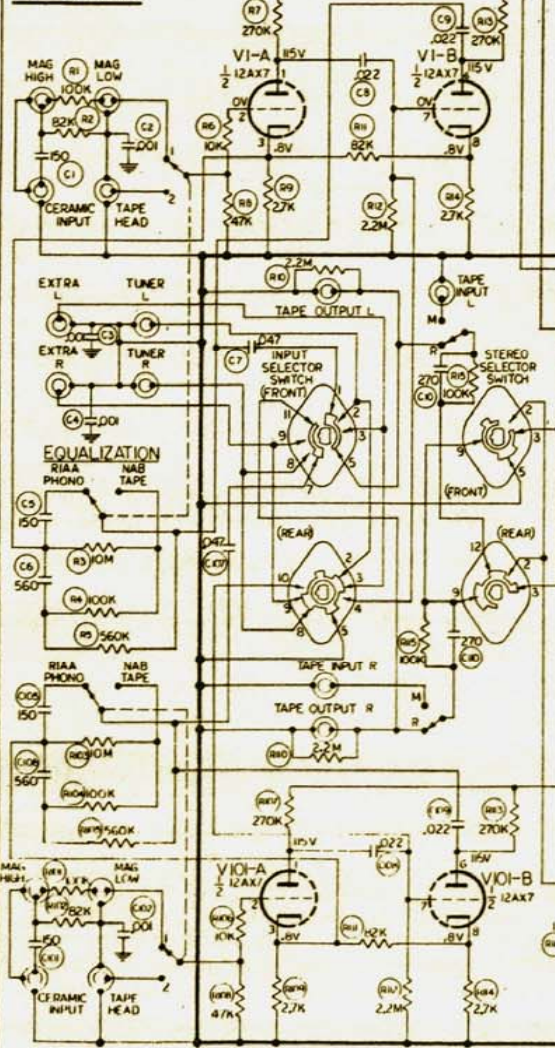


LEFT CHANNEL



RIGHT CHANNEL

INPUT SELECTION SW
 POSITION FUNCTION
 1 PHONO
 2 TUNER
 3 EXTRA

STEREO SELECTOR SW
 POSITION FUNCTION
 1 BALANCE
 2 MONITORING RECORDS
 3 STEREO
 4 REVERSE STEREO
 5 LEFT INPUT
 6 RIGHT INPUT

EQUALIZATION SW
 POSITION FUNCTION
 1 RIAA-WARTS-ORTHO
 2 NAB TAPE

THE FOLLOWING CONTROLS IN LEFT CHANNEL ARE MECHANICALLY LINKED WITH IDENTICAL CONTROLS IN RIGHT CHANNEL
 1. INPUT SELECTOR
 2. EQ. BALANCE
 3. SCRATCH FILTER
 4. TREBLE
 5. COMPRESSOR
 6. LOUDNESS

UNITS IMPERIAL 200146 TO 200145 INCLUSIVE USE TRANSFORMER TR12-1 & 2 AND POWER RESISTOR RWS 20 160 (R264). ALL OTHER UNITS USE TRANSFORMER TR12-1 AND POWER RESISTOR RWS 10-20.

TYPE 222D STEREO AMPLIFIER

SCALE: —	CIRCUIT DIAGRAM	6-18-63
H. H. SCOTT, INC. MAYNARD, MASS. U.S.A.		
DR: [initials]	ENG: [initials]	DWG NO. 222D-C1
CH: [initials]	PHYS: [initials]	REV: 0