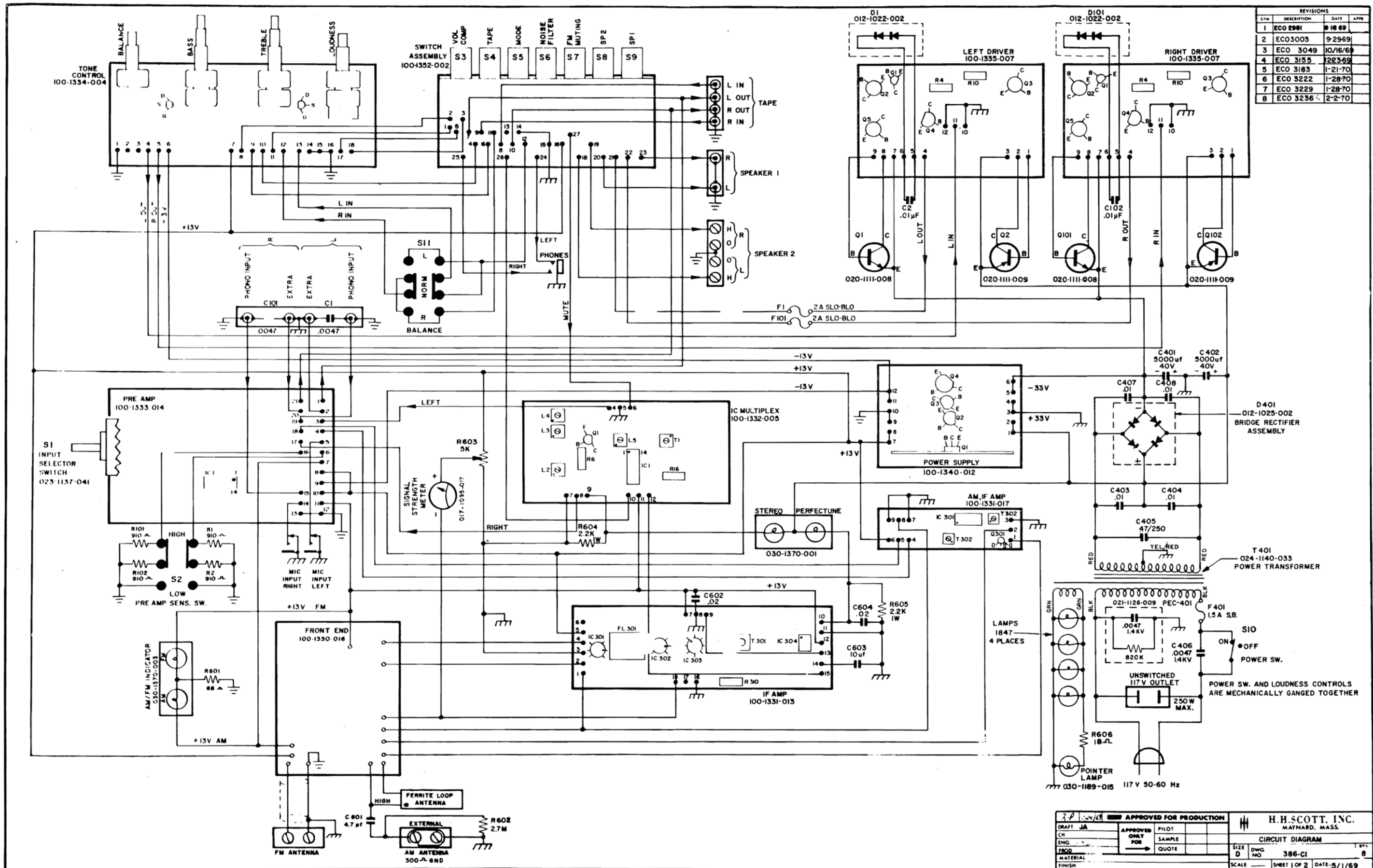


REVISIONS			
SYM	DESCRIPTION	DATE	APP
1	ECO 2801	9-18-69	
2	ECO 3003	9-29-69	
3	ECO 3049	10/16/69	
4	ECO 3155	12-23-69	
5	ECO 3183	1-21-70	
6	ECO 3222	1-28-70	
7	ECO 3229	1-28-70	
8	ECO 3236	2-2-70	



APPROVED FOR PRODUCTION		H.H. SCOTT, INC. MATNARD, MASS.	
DRAFT	APPROVED ONLY FOR	PILOT	CIRCUIT DIAGRAM
CH	FOR	SAMPLE	SIZE D
PROJ	QUOTE	NO	NO 386-C1
MATERIAL			SHEET 1 OF 2
FINISH			DATE 5/11/69