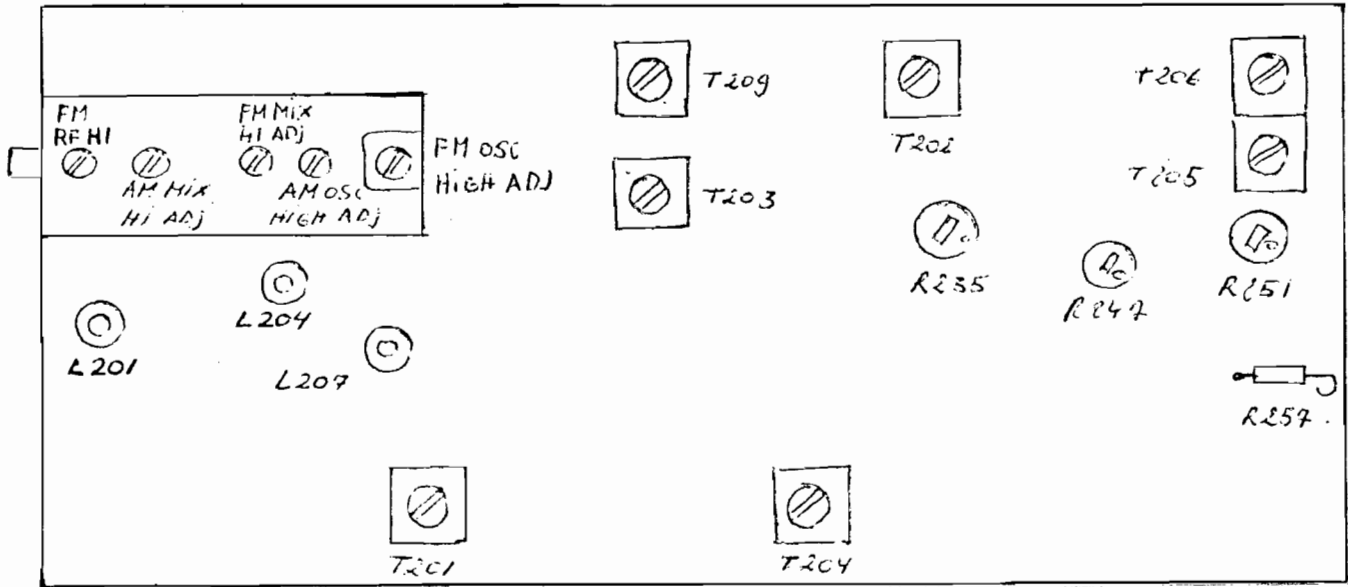


SYMA INTERNATIONAL S.A.

AM / FM ALIGNMENT

FOR T 516.



All components on p c board explained in the procedure.

S C O T T

SCHALTUNGSDIENST LANGE 1000 BERLIN 47 FF. 47 06 53
TEL. 030/603 20 03 TX 184339 BTX #360 310 000 140#

FM ALIGNMENT

Test	Generator	Component adjusted	Adjust for
Osc coil	FM generator to 90 MHz 1 KHz modulation + 95 KHz deviation	Front end L 207	Adjust for dial calibration
Ant coil Mix coil	Same as above Keep signal level low	Front end L 201 L 204	Adjust for Max audio output
Osc trimmer Ant trimmer Mix trimmer	FM generator 1 KHz modulation Keep signal level low	Front end Osc high adj FM RF HI FM mix HI adj	Adjust for dial cal Adjust for max outp Adjust for max outp

Repeat steps 2 / 3 in their entirety until no further improvement can be made Minimum IHF sensitivity is 2,5 μ V at 90 MHz and 106

IF ajust	FM generator to 96 MHz 1 KHz modulation Equal noise on peaks of sine wave on scope	T 201	Max signal strength meter indication
Detection alignment and distortion	FM generator to 96 MHz 1 KHz modulation 300 μ V output	T 204	Adjust for min distortion $\leq 0,5$ Keep audio output level to 500 M
Multiplex alignment Pilot frequency	FM generator to 96 MHz without modulation	R 251	Rotate R651 for set pilot frequ. to 19 KHz Read the frequency with a frequency counter to R257
Distortion and separation stereo	FM stereo generator to 96 MHz Modulation 1 KHz stereo signal on left channel 300 μ V output	R 247	Rotate R 247 for maximum separation Reverse channels and check for eq. separation min 35 dB Dist $\leq 0,6$ %

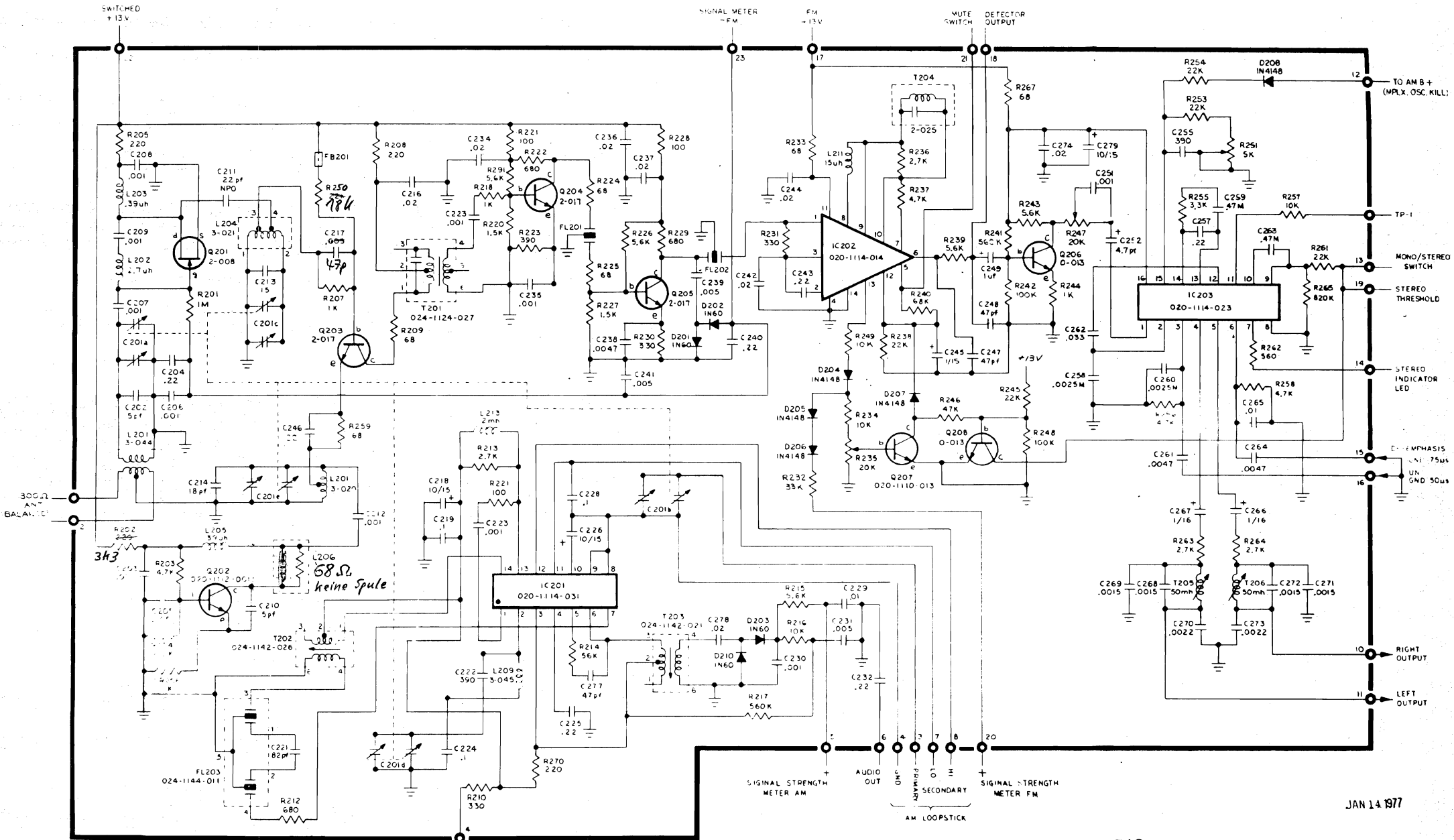
FM ALIGNMENT

Test	GENERATOR	COMPONENT ADJUSTED	ADJUST FOR
Residual 38 KHz suppression	FM stereo generator to 96 MHz 1 KHz modul 300 /UV output	T 206 T 205	Adjust T 206 and T 205 for minimum residual level on sine wave on scope.
Muting and stereo light switching	Same as above 6/uv output	R 236 Push "Muting" switch on	Rotate R 235 for signal suppression increase FM generator output for sign and stereo light go on at 7/uv
Deemphasis 75 /uS	Tune to a strong FM mono signal 400 Hz 10.000 Hz modulation	none	output should be 12 dB below 400 Hz
Hum	Increase FM generator output level to 1KV without modulation	none	Output should be ≤ 60 dB

TEST	GENERATOR	COMPONENT ADJUSTED	ADJUST FOR
Connect external antenna terminal through 280pF dummy antenna	600 KHz	Set the dial to 600 KHz turn T 209 (AM osc 10 W adj)	Adjust for calibration
Same as above	1400 KHz	Dial to 1400 KHz turn AM osc high adj	Adjust for calibration
Same as above	Same as above	AM mix HI adj	Adjust for max imun signal
Same as above	600 KHz	Antenna slider cr screw	Adjust for max. signal
IF alignment	Same as above Low signal output	T 203 T 202	Adjust for max. signal

For LW alignment same as above but only change
 600 KHz 150 KHz
 1400 KHz 350 KHz

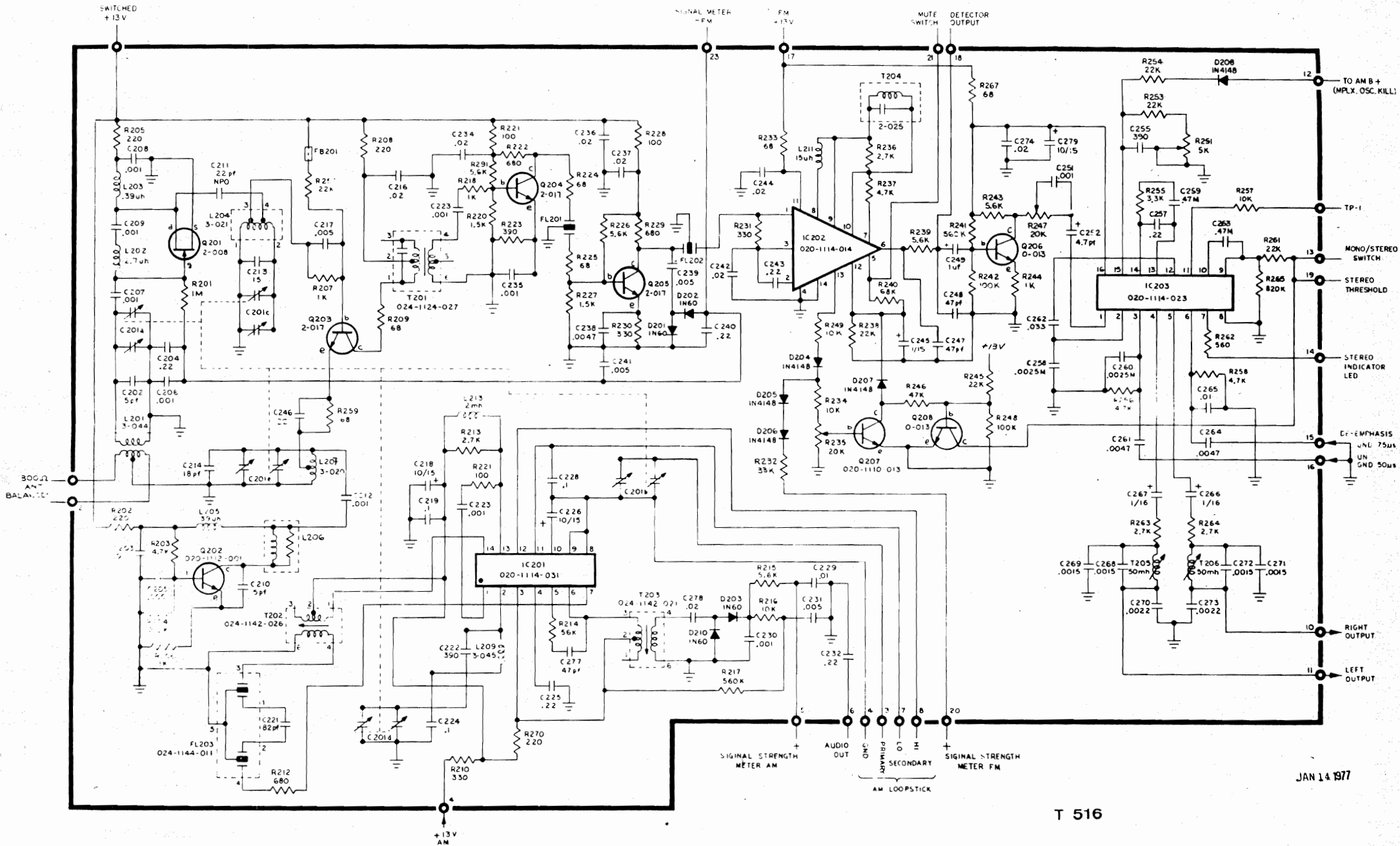
=====



JAN 14 1977

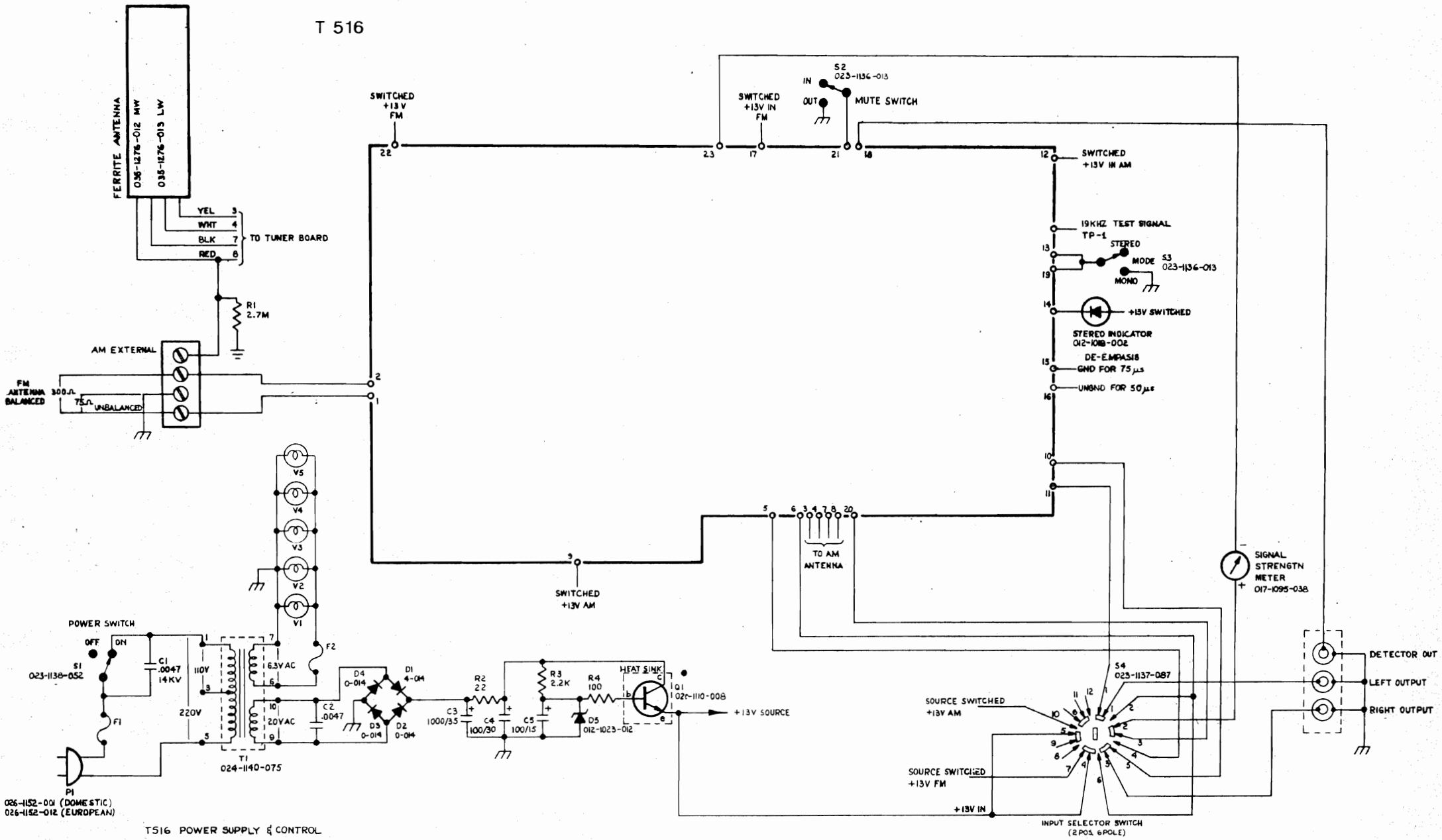
T 516

Mit FTZ-Änderungen 10.77



JAN 14 1977

T 516



T516 POWER SUPPLY & CONTROL